

Filters and Valves

High-grade Valves, cost-efficient and flexible



Filters and Valves

Inline Filter Type "Mini"



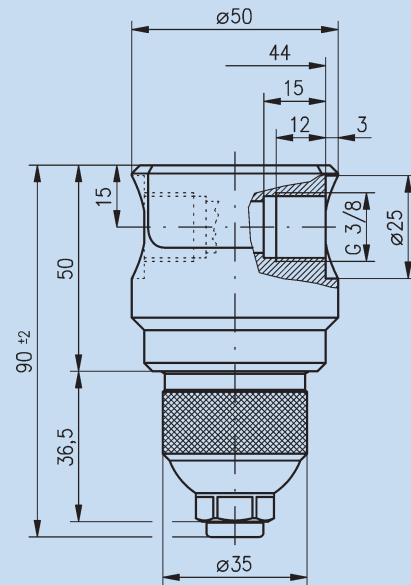
General Information

Operational necessities govern the design and selection of a filter. The GATHER filter with drain plug is a universal filter designed to operate even under adverse process conditions and is suited for application temperatures of up to +350 °C at system pressures of up to 500 bar (filter body components in this case must be tightened at a torque of 120 Nm). Stainless steel and Hastelloy filter types are available and qualify this equipment for aggressive media service.

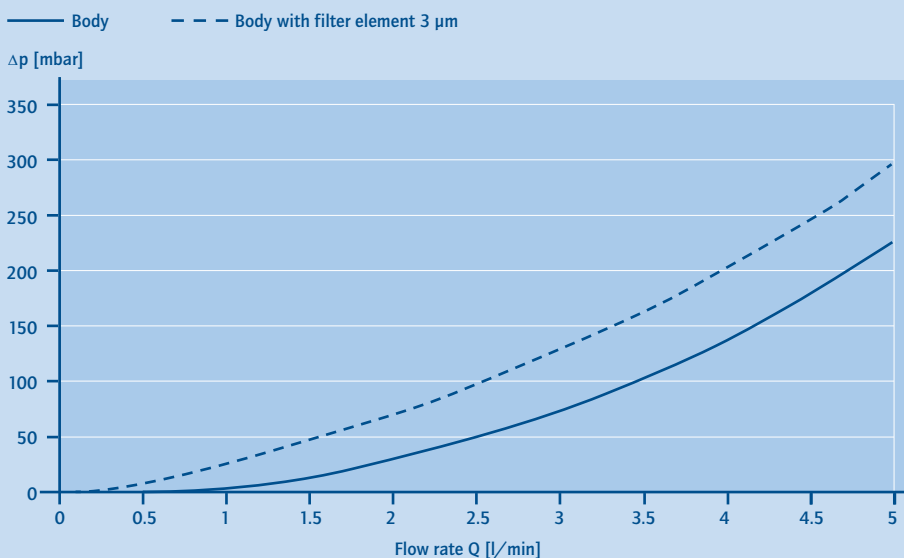
The use of "pleated" filter elements enables compact design and large filtering surface (48 cm²) with only minimum pressure losses. The filter is thus best suited for pre-filtering service in intake lines, for example to protect GATHER magnetic drive gear pumps.

Technical Data

Max. temperature	+350 °C
Max. system pressure	500 bar
Bursting pressure	above 950 bar
Standard fineness	10 µm
Body	Stainless steel: Nitronic 60/1.4404 alternatively: Hastelloy C276
Filter	Stainless steel: 1.4401 alternatively: Hastelloy C22
Filter surface	48 cm ²
Filling volume	appr. 18 ml
Connection	G 3/8 female thread
Drain	G 1/8 female thread (tightening torque 24 Nm)



Q/p Diagram, Medium: Water



The filter element can be easily cleaned in an ultrasonic bath or by backflushing (also via the drain).

The filter has no inherent heat source and as such is not subject to ATEX provisions. It may thus be used without reservations in hazardous areas.

Safety valves ÜVG-G1/4 and ÜVG-G1/2
 Overflow valves for liquid, gas and steam service



Description

System-medium controlled overflow valves are simple and compact elements offering precise control efficiency and ease of installation and maintenance. They keep the pressure upstream of the valve constant without the need of any further control elements. At the cone, the inlet pressure to be controlled is in equilibrium with the force exerted by the valve spring.

- TÜV approved
- TA-Luft compliant
- FDA compliant

Advantages

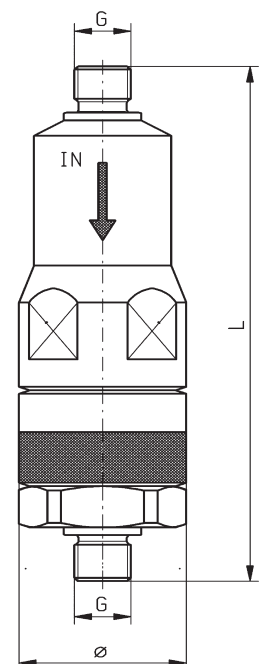
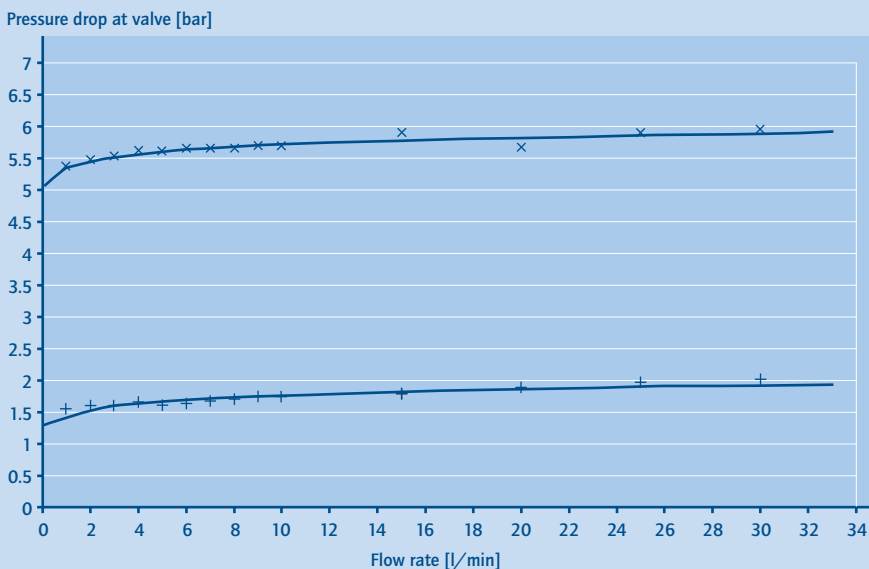
- compact and straight design
- optimum mounting location freely selectable
- minimum pressure loss (control range 1:35)

Technical Data

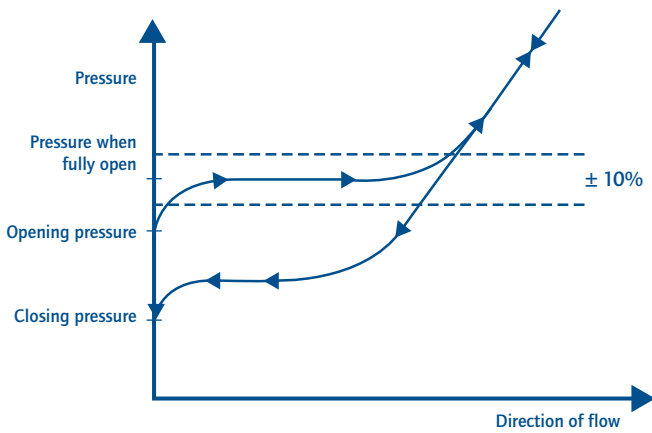
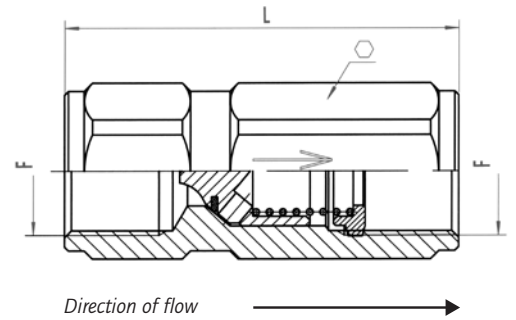
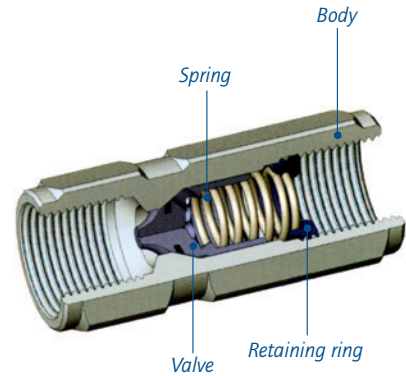
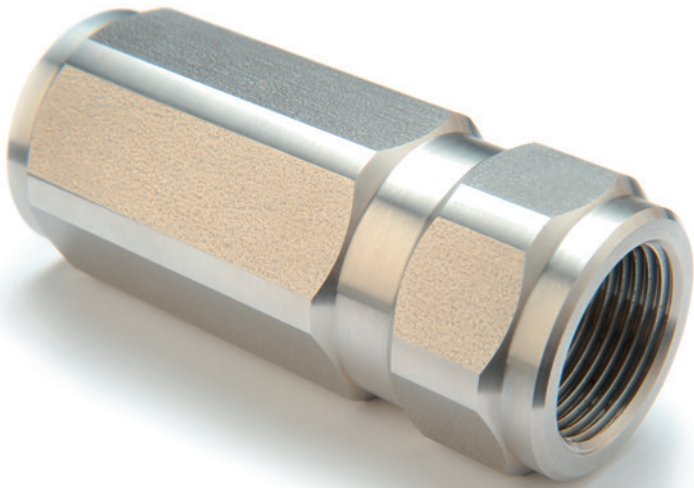
Material Stainless steel (1.4571)
Seals FFKM (FDA conform, white)
 -15 °C to +300 °C
 different o-ring materials on inquiry
Actuating pressure steplessly variable
Connections Tube couplings or as specified by client

Size	Length L	O. D.	Connection G	Pressure range
DN 6	~135 mm	∅ 44 mm	G 1/4	optional: 1-5 bar or 5-15 bar
DN 12	~143 mm	∅ 54 mm	G 1/2	optional: 1-5 bar or 5-10 bar

Pressure Drop at ÜVG-G1/2 for Water



Non-return valve for liquid, gas and steam service



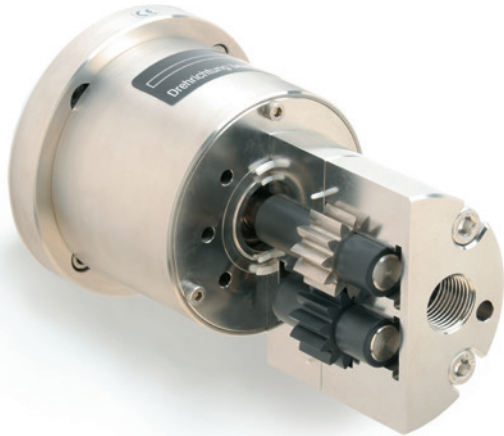
Technical Data

Material	Stainless steel 1.4404
Seals	Viton (-20 °C to +200 °C) EPDM (-40 °C to +150 °C)
Actuating pressure	1.0 barg ($\pm 10\%$)

Type	DN [mm]	L [mm]	F Connection	Width A/F	Seal	Max. flow*, System pressure
RÜ-G1/8-V RÜ-G1/8-E	3.8	37	G 1/8	16	Viton EPDM	1.0 l/min, 400 bar
RÜ-G1/4-V RÜ-G1/4-E	5.7	50	G 1/4	19	Viton EPDM	4.0 l/min, 400 bar
RÜ-G3/8-V RÜ-G3/8-E	7.6	60	G 3/8	23	Viton EPDM	8.3 l/min, 400 bar
RÜ-G1/2-V RÜ-G1/2-E	10.3	70	G 1/2	27	Viton EPDM	16.7 l/min, 250 bar
RÜ-G3/4-V RÜ-G3/4-E	14.2	86	G 3/4	35	Viton EPDM	35.0 l/min, 250 bar

* For water at 20 °C and 1.0 mm²/s

The GATHER Products



Gear Pump and Wankel Pump

GATHER magnetic drive gear pumps are designed for dosing as well as process pump operations. They are complemented by Wankel (rotary piston) pumps featuring excellent conveying and pressurizing performance. The distinctive mark of these hermetically sealed pumps is long service life and non-pulsation dosing, especially of non-lubricating liquid such as water, salt solutions and solvents but also of acid and caustic solutions.

NEW

Temperature range:
-200 °C to +450 °C



Quick-Disconnect Couplings

The safe, robust and quickly disconnectable hose/tube joining method for almost any liquid and gaseous media.

With double or single shutoff function or unrestricted medium passage in sizes ranging between DN 4 and DN 125. The original Hansen couplings and the flat-face, non-leakage couplings of GATHER's own DBG series are especially versatile.

NEW

Temperature range:
-80 °C to +325 °C



Filters and Valves

For dosing performance enhancement and gear pump protection GATHER offers tailored accessories:

High-grade overflow valves and filters of stainless steel and Hastelloy as well as simple non-return valves.

high-grade, robust



Quality - Made in Germany

Professional expertise:
Personal engineering consultation
inhouse and in the field

GATHER Industrie GmbH

Lise-Meitner-Straße 4
D-42489 Wülfrath
Phone: +49 2058 89381-0
www.gather-industrie.de

Pump Technology/Filters and Valves

Phone: +49 2058 89381-23
Fax: +49 2058 89381-50
pumpe@gather-industrie.de

Coupling Technology

Phone: +49 2058 89381-23
Fax: +49 2058 89381-50
kupplung@gather-industrie.de

